

# ANATOMY OF AN APEX PREDATOR

The undisputed heavy-hitter  
of the modern battlefield.

Modern Armor M1A2 Abrams  
Tech Briefing from

MODERN ARMOR

A Visual Survey of the Next War's  
Land Vehicles

Order today on Amazon or  
Barnes & Noble BookStores.



# A Lineage Engineered for Dominance

**The Origins:** Manufacturing began in 1979 at the U.S. Army Tank Plant in Lima, Ohio. Under General Dynamics Land Systems (GDLS), the Abrams was built to restore NATO technological dominance over Soviet and Chinese armor.

**The Modern Adversary:** Evolved specifically to overmatch perceived threats from the Russian T-90M and Chinese Type 99A.

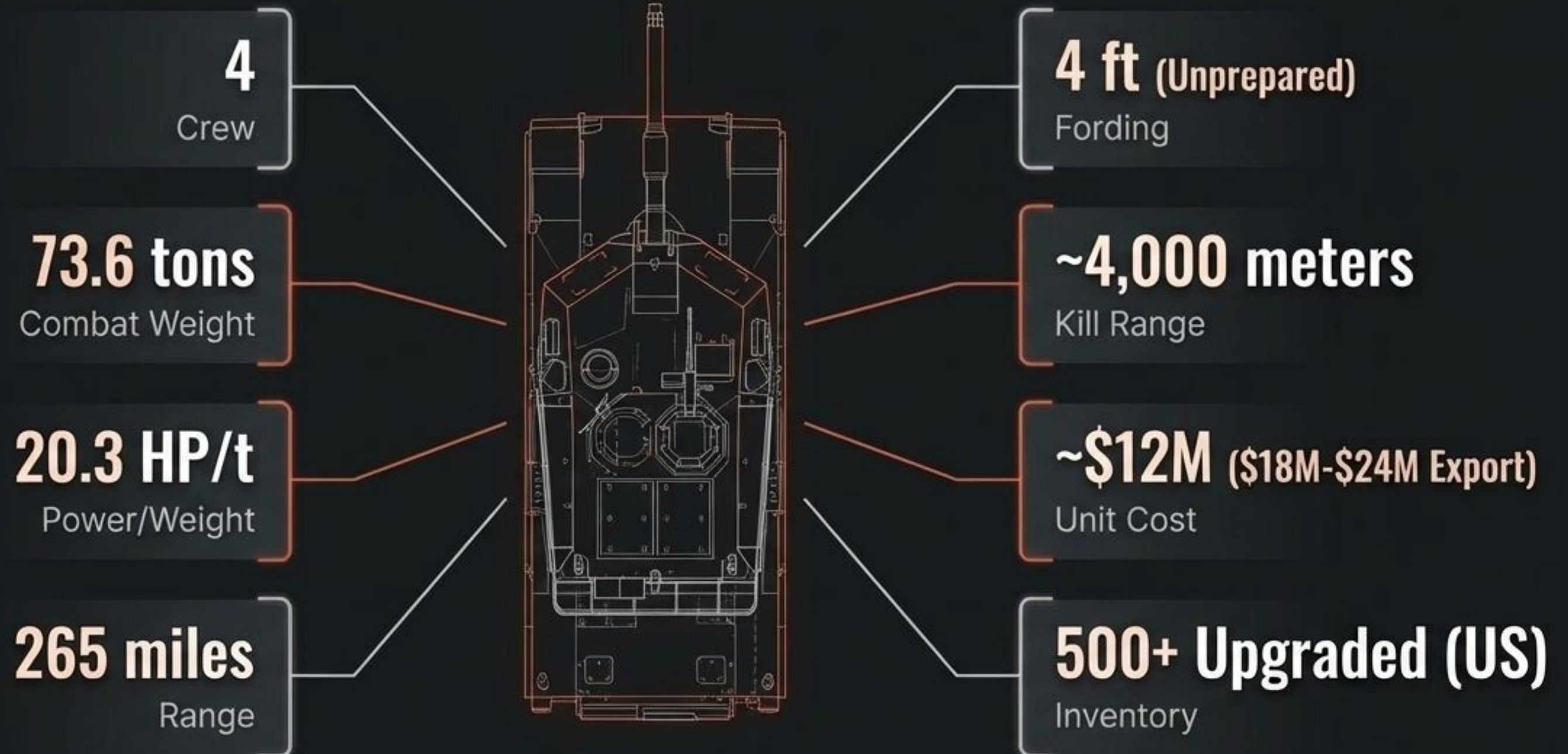
**The Current Standard:** The System Enhancement Package v3 (SEPV3) reached Initial Operational Capability (IOC) in 2020.



## The Mission:

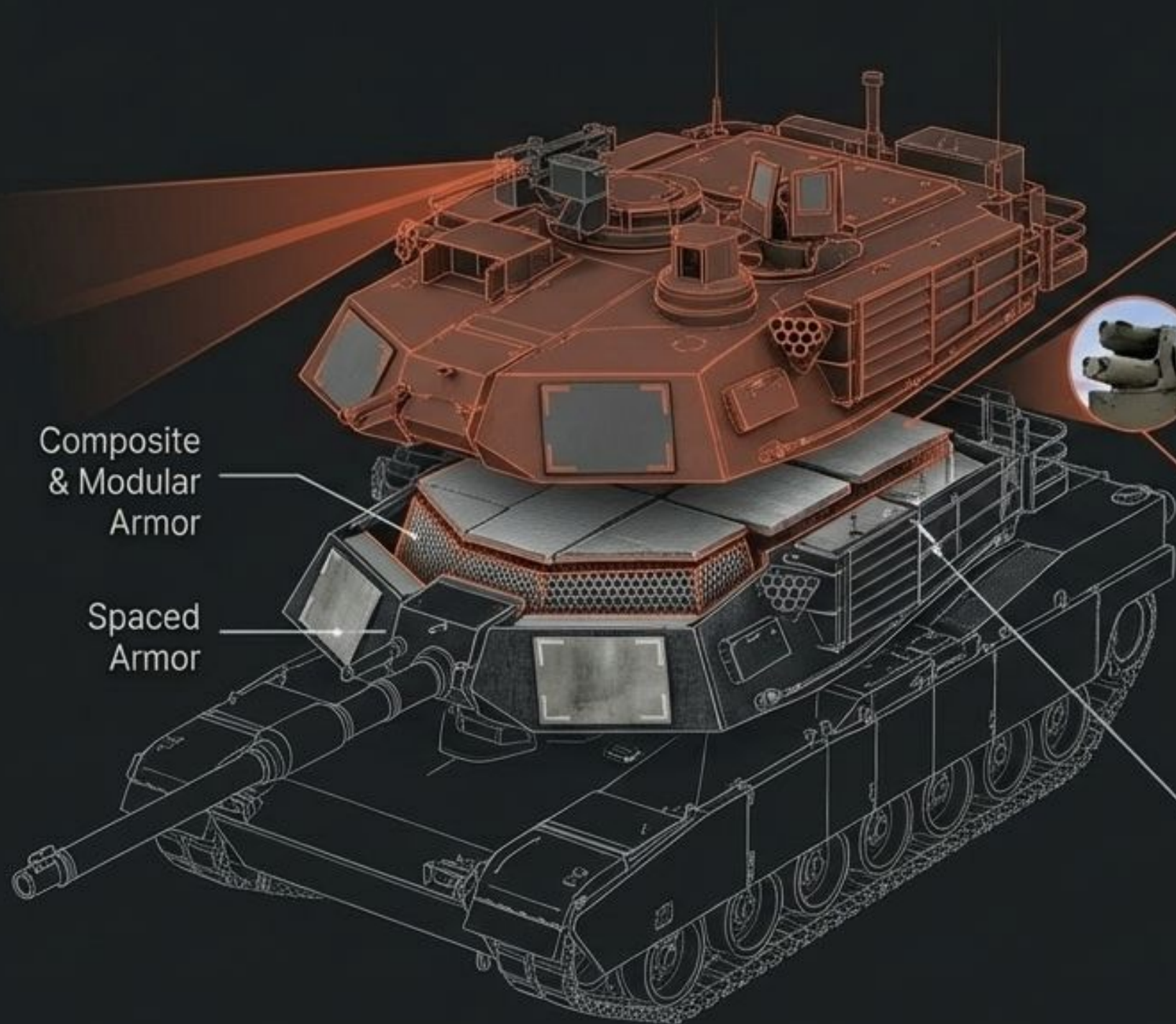
Destroy enemy armor at **long ranges** and **survive** high-intensity kinetic engagements.

# The Vital Statistics





# Surviving the 360-Degree Threat Environment



Composite  
& Modular  
Armor

Spaced  
Armor

## Next Generation Evolution Armor (NEA):

Features an advanced **Depleted Uranium (DU) mesh** designed to shatter high-kinetic-energy penetrators.

## Active Protection System (APS):

Fully integrated with the Israeli-designed **Trophy APS** to detect, track, and intercept incoming anti-tank guided missiles (ATGMs) milliseconds before impact.

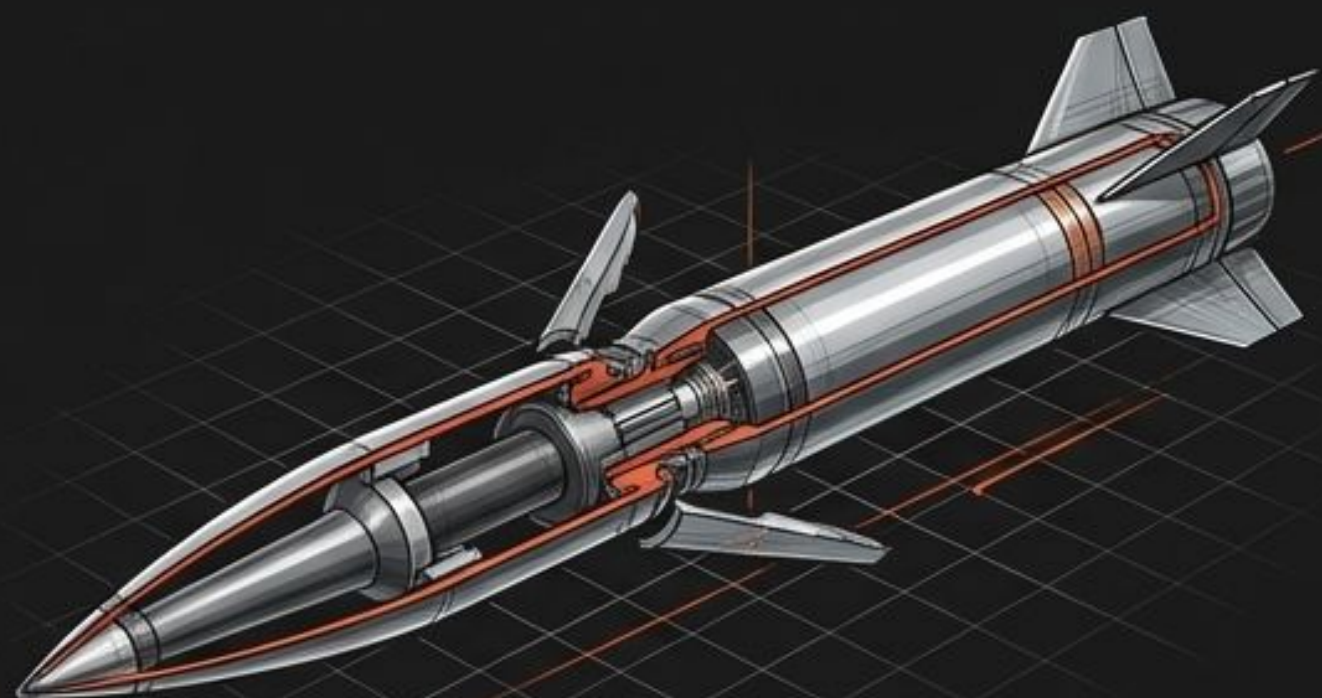
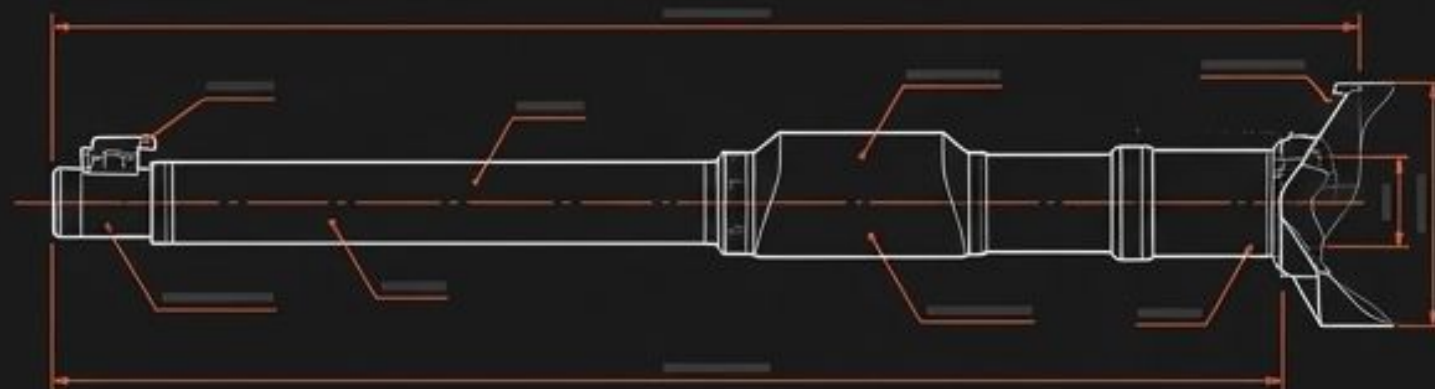
## The Drone Era Reality:

While highly survivable against kinetic threats, the platform must now adapt to **top-attack vulnerabilities** from **FPV drones**—a lesson drawn from M1A1 SA combat experience in Ukraine.



# Reaching Out With Devastating Precision

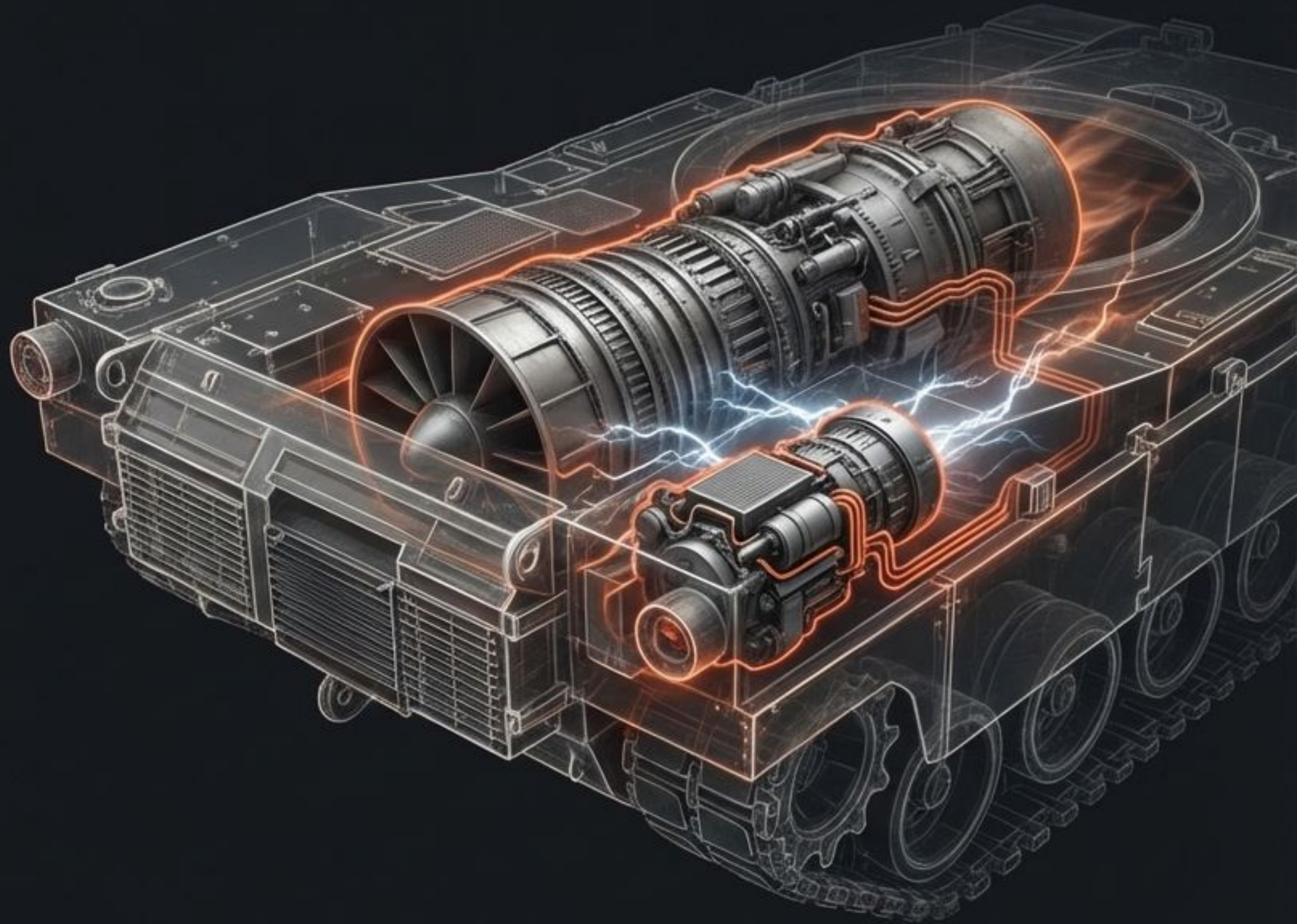
- **The Main Gun:** 120mm Smoothbore cannon delivering a muzzle velocity between ~1,575 and 1,700+ m/s.
- **M829A4 Super Sabot:** An Armor-Piercing Fin-Stabilized Discarding Sabot (APFSDS) round specifically engineered to defeat advanced Russian reactive armor like Relikt.
- **Advanced Multi-Purpose (AMP):** Programmable munitions allowing the crew to dictate the exact detonation parameters for bunkers, infantry, or light armor.
- **Electrical Turret Drive:** The SE Pv3 replaces the legacy hydraulic turret drive with a safer, faster electrical system for rapid target acquisition.





# The Power to Move Mountains in Silence

- **The Gas Turbine:** A massive powerplant generating **20.3 HP/t**, giving the Abrams its signature speed and acceleration across punishing terrain.
- **The SEPv3 Tactical Upgrade:** The critical addition of an under-armor **Auxiliary Power Unit (APU)**.
- **Silent Watch Capability:** The APU allows the crew to run **advanced fire control, digital networking, and thermal optics** without running the loud, fuel-thirsty main turbine—masking the vehicle's acoustic and thermal signature during ambushes.



# THE OPERATIONAL LIMITS OF EXTREME MASS

The uncompromising pursuit of ultimate protection and firepower has pushed the Abrams to its physical limits.



## THE WEIGHT BURDEN



At 73.6 tons, the SEPv3 strains the limits of global airlift capabilities and creates severe bottlenecks when crossing smaller bridges in European or Indo-Pacific theaters.

## THE STRATEGIC DRAG

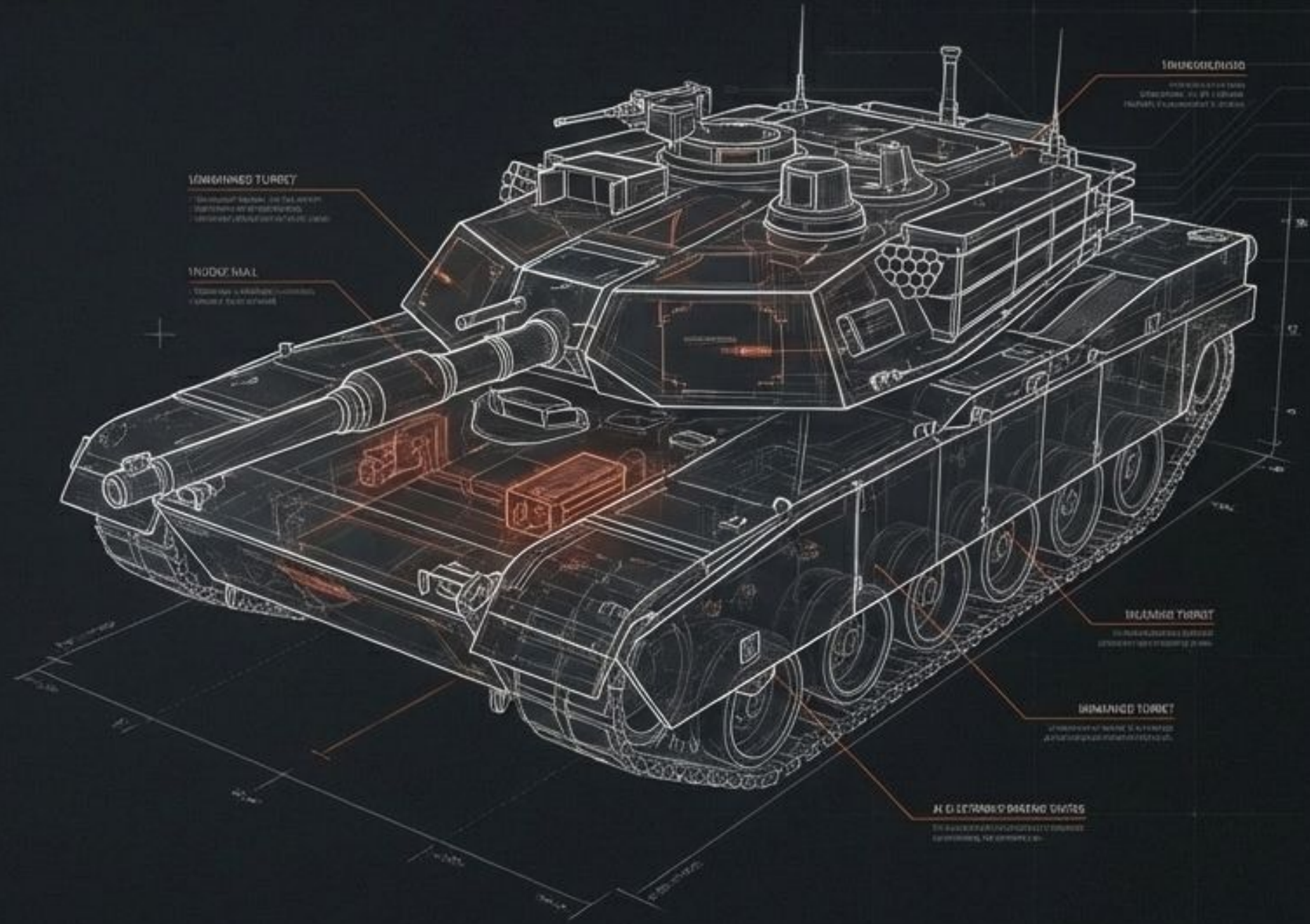


The immense mass, coupled with the extreme fuel consumption of the gas turbine, creates a massive logistical tail that entire armored brigades must constantly defend and resupply.

# The Next Evolution of Armored Warfare

The battlefield is changing rapidly. The planned SEPv4 upgrade was abruptly cancelled in late 2023. The future is the M1E3 Abrams, slated for the early 2030s.

- **Lighter & Modular:** Shedding extreme weight to restore strategic mobility and bridge-crossing capabilities.
- **Hybrid-Electric Drive:** Slashing the logistical fuel burden while enhancing silent operations.
- **Unmanned Turret:** Reducing the crew to **3 personnel** housed safely deep within the hull.
- **AI Electronic Warfare:** A fully integrated EW suite designed specifically to **detect, jam, and defeat drone swarms and loitering munitions.**



# The Pinnacle of the Cold War Behemoth

The M1A2 SEPv3 is the ultimate adaptation of 20th-century armor philosophy for 21st-century survival. It is the absolute peak of traditional heavy armor design—holding the line today, while setting the stage for the next radical leap in armored combined arms.